



DBK8™

8-Channel High-Voltage Input Card



Compatibility: ✓ LogBook ✓ DaqBook ✓ DaqLab ✓ DaqScan ✓ DaqBoard/2000 Series

Features

- Provides eight high-voltage input channels
- Per-channel selection of three voltage ranges via jumper
- Provides 10M Ohm input impedance for minimum loading errors
- Buffered inputs on each channel for high-speed scanning

The DBK8™ provides eight high-impedance, high-voltage input channels for IOtech's data acquisition systems. The DBK8 accommodates 10, 50, or 100 VFS bipolar inputs that you can set on a per-channel basis via jumpers on the card.

The DBK8's 10M Ohm input impedance presents minimal loading of high impedance circuits and transducers (e.g., string pots), which ensures accurate readings over a wide range of source impedance, and high impedance transducers, such as string pots.

Each of the DBK8's inputs provides an individual buffer amplifier that allows the combination of high-speed (10 μs/reading) and high-input impedances.

As many as 32 DBK8 cards can be used in one system for a total of 256 high-voltage differential inputs.

Specifications

Connector: DB37 male, mates with P1*; screw terminals for signal inputs

Voltage Input Ranges: ±10V, ±50V, ±100V; selection by jumper for each channel

Input Impedance: 10M Ohm

Attenuation:

10V $V_{out}=V_{in}/2$ (Bandwidth=579 Hz)

50V $V_{out}=V_{in}/10$ (Bandwidth=1608 Hz)

100V $V_{out}=V_{in}/20$ (Bandwidth=3047 Hz)

Attenuation Accuracy: 0.5%

Offset Voltage

Typ: 0.5 mV

Max: 2.0 mV

Offset Drift

Typ: 4 μV/°C

Max: 10 μV/°C

Power Consumption: 455 mW

Ordering Information

Description
8-channel high-voltage input card

Part No.
DBK8

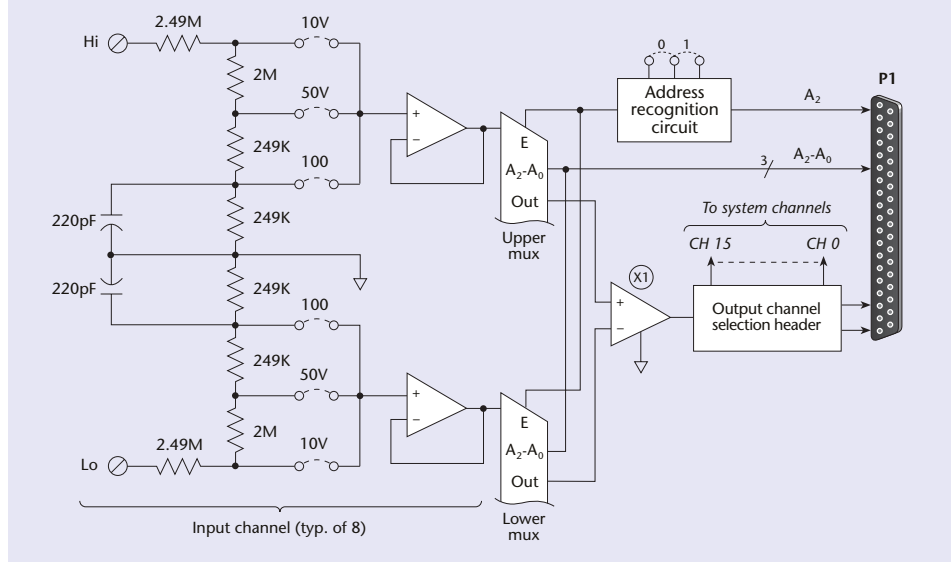
Cables

For use with DBK10, use CA-37-x ribbon cable, or contact factory of additional cabling options



The 8-channel DBK8 high-voltage input card provides three input ranges, which can be set on a per-channel basis

DBK8 High-Voltage Input Card Block Diagram



For use with DBK60 or LogBook360, no cable is required (except from DBK60 or LogBook/360 to the A/D mainframe)

For use with no enclosure, use CA-37-x where x is the number of DBK devices attached

For use with DaqLab series (internal slots), use CA-255-2T with one board, or CA-37-2 for use with two DBK cards (or contact factory for additional cabling options)

For complete information on accessories and cables, visit www.iotech.com/acc

Related Products

LogBook	p. 75
DaqBook	p. 89
DaqLab	p. 103
DaqScan	p. 108
DBK10	p. 126
DBK41	p. 146
DBK50	p. 156
DBK60	p. 160
DaqBoard/2000 Series	p. 192

* Attachment to the DaqBoard/2000 series requires a DBK200, DBK201, DBK202, DBK203, DBK205, or DBK209 adapter